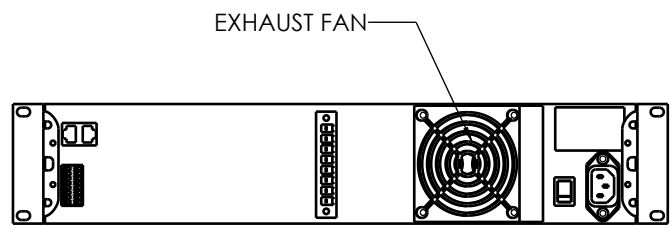
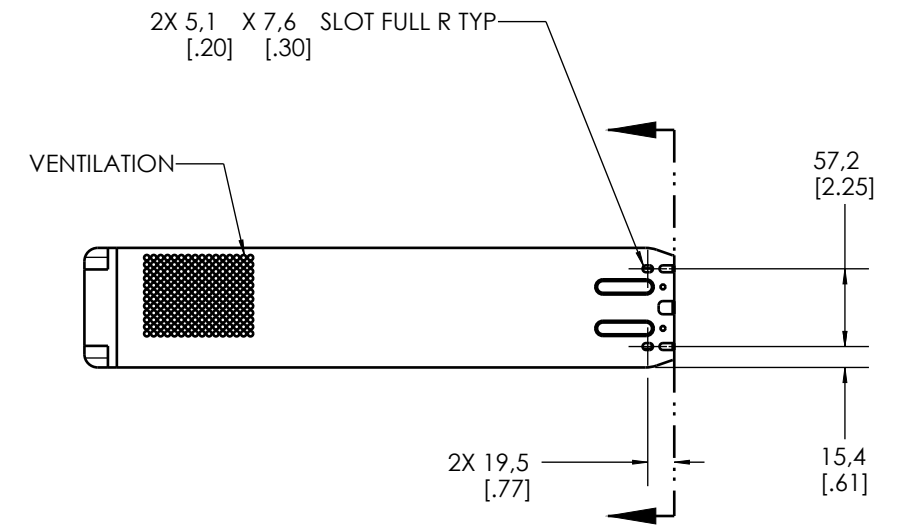
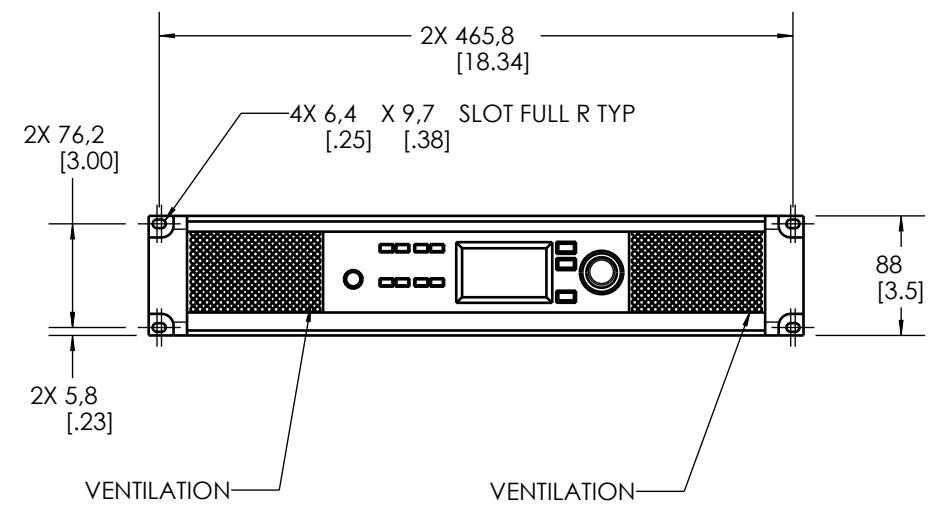
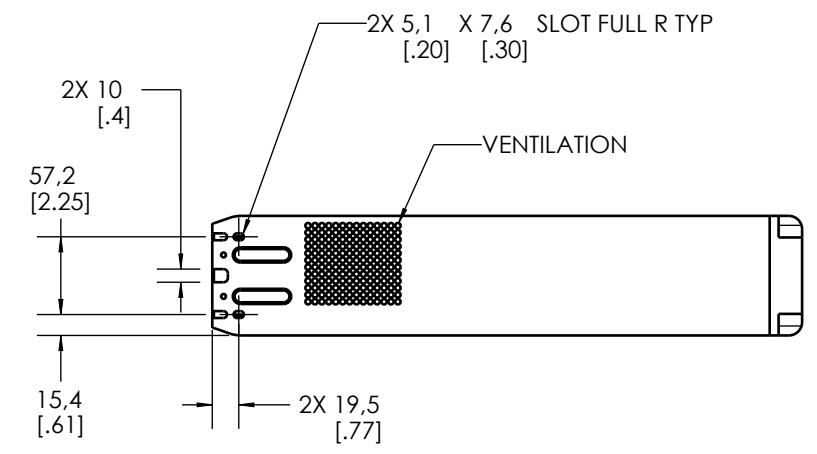
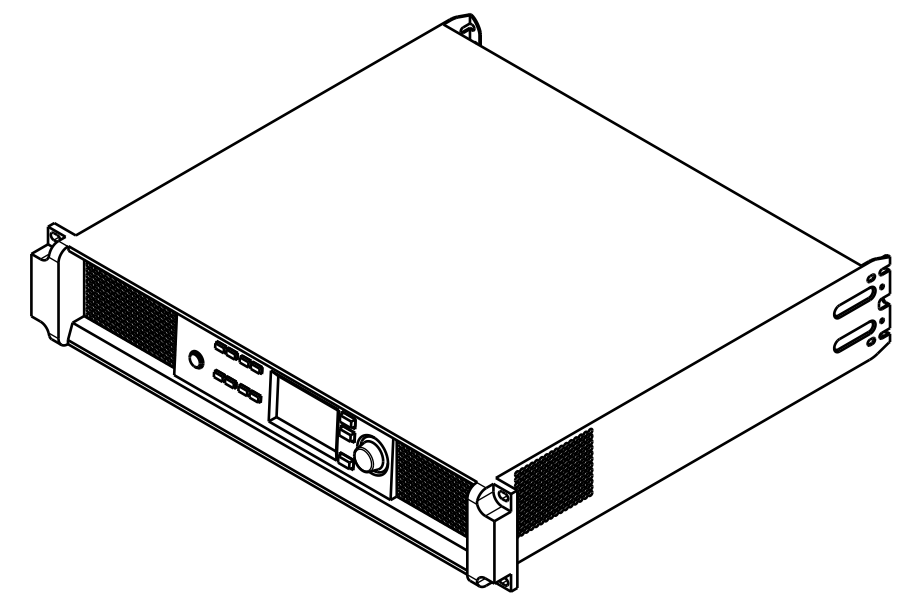
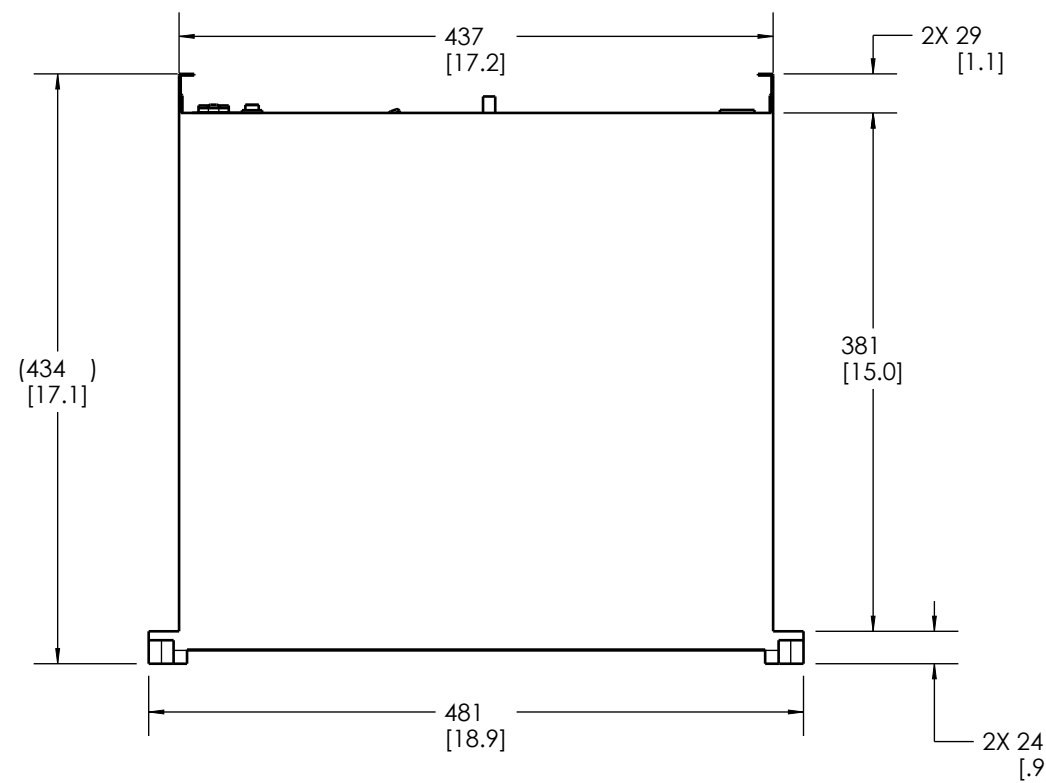


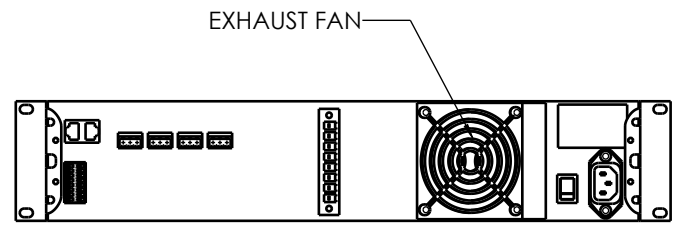
THIS DOCUMENT CONTAINS PROPRIETARY INFORMATION WHICH IS THE PROPERTY OF QSC, LLC. THAT MAY NOT BE DISCLOSED, REPRODUCED OR USED WITHOUT THE EXPRESS WRITTEN CONSENT FROM QSC, LLC.

NOTES: UNLESS OTHERWISE SPECIFIED
 1. NET WEIGHT APPROXIMATELY;
 DPA-2K4Q/DPA-2K4QN 10.4 KG [23 LBS],
 DPA-4K4Q/DPA-4K4QN 11.3 KG [25 LBS],
 DPA-8K4Q/DPA-8K4QN 11.8 KG [26 LBS].

REVISION			
REV	DESCRIPTION	BY	DATE
A	INITIAL RELEASE	SS	10-SEPT-19



REAR VIEW
DPA-QN CONFIGURATION



VIEW A-A
REAR VIEW
DPA-Q CONFIGURATION

UNLESS OTHERWISE SPECIFIED DIMENSIONS ARE IN MM [IN] TOLERANCES ARE: DECIMALS ANGLES .X ± 3 [.12] ± 1°		CAD GENERATED DRAWING DO NOT MANUALLY UPDATE		QSC, LLC 1675 MACARTHUR BOULEVARD COSTA MESA, CA 92626 USA	
MATERIAL SEE NOTES		APPROVALS		MECHANICAL OUTLINE, AMPLIFIER, DPA, DPA-QN SERIES	
FINISH SEE NOTES		DRAWN BY S. STASIAK			
DO NOT SCALE DRAWING		MECH ENGINEER D. TEULIE			
PROJECTION SYMBOL		TECH DIRECTOR R. BAKER			
		MFG ENGINEER R. SANGAM		SIZE B	CAGE CODE 00PW4
				DWG. NO. RD-000807	REV A
				SCALE: 1:1	CAD FILE: RD-000807.A.0
				SHEET: 1 OF 1	